

# Power Pack



The power pack converts mains power (230VAC) to extra low voltage (24VDC) for the Ata Touch system and lighting so your house is always safe.

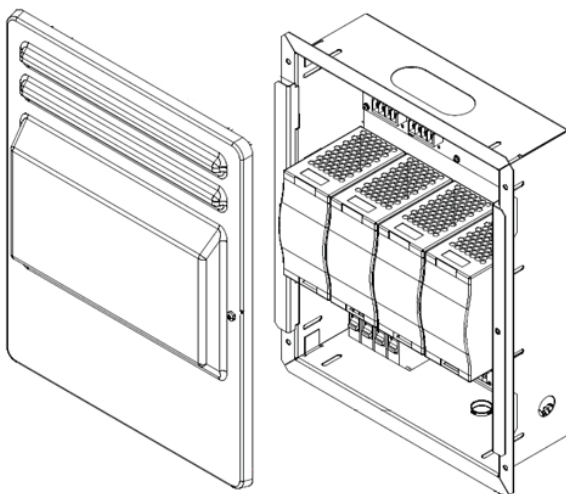
## Overview

The Ata Touch power pack is industrial quality with voltage and current control built in.

It is able to supply 24VDC of up to 60A power over four power bus feeds, supplying the lighting, alarming, Ata Touch system, servo windows and any other 24VDC devices.

The data bus and smart devices are fed from any of the power supplies to ensure that should a fault occur on one power bus the remainder of the system stays working.

Size your cable sizes to match the connected load and cable length.



Ata Touch Power Pack



| Specifications                  |   |
|---------------------------------|---|
| Part No.                        | ATA-S010-000  |
| Power Supply Part No.           | ATA-S001-000 - SDR 24VDC 10A 240 Watts<br>ATA-S002-000 - SDR 24VDC 20A 480 watts  |
| Permissible Ambient Temperature | -30°C to 70°C   |
| IP Rating                       | IP30  |
| Input Voltage                   | 90 to 264VAC  |
| Output Voltage                  | 24 to 28VDC (adjustable)  |
| Output Current                  | 10 - 60 amps  |
| Withstand Voltage               | I/P-OP:3kVAC, I/P-FG:1.5kVAC, O/P-FG:0.5kVAC, O/P-DC OK:0.5kVAC   |
| Efficiency                      | 94%   |
| Mounting                        | Recessed  |
| Dimensions                      | 400mm (H) x 330mm (W) x 145mm (H)   |
| Hole Cutout Size                | 365mm (H) x 285mm (W)   |
| Maximum heat Disipation         | 55°   |
| Protection                      | Short Circuit, Over Current, Over Voltage, Over temperature   |
| Safety Standards                | UL508, TUV EN60950-1, GL (SDR 240/480)  |
| Compliance                      | GL (SDR-240/480)  |
| Compliance                      | SEMI F47 (SDR 240/480)  |
| EMC Standards                   | EN55022 class B, EN61000-3-2,3, EN6100-4-2,3,4,5,6,8,11, EN61000-6-2 (EN50082-2), EN61204-3: SEMI (SDR-240/480), GL (SDR-240/480) |
| Ata Touch Bus Current           | 1.5 amp (self resetting and redundant supply)   |



Ata Touch a division of TCS (NZ) Ltd  
34 The Boulevard, Te Rapa, New Zealand  
PO Box 20489, Hamilton 3241  
+64 7 849 7729  
[sales@atatouch.co.nz](mailto:sales@atatouch.co.nz)  
[www.atatouch.co.nz](http://www.atatouch.co.nz)